

### Mechanical Data

Item	Dimension	Unit
Module dimension	85.0 x 36.0 x 10.0(MAX)	mm
View area	66.0 x 16.0	mm
Active area	59.95 x 11.15	mm
Mounting hole	80.0 x 31.0	mm
Dot size	0.55 x 0.65	mm
Dot pitch	0.60 x 0.70	mm

### Absolute Maximum Rating

Item	Symbol	Min	Max	Unit	Notes
Input Voltage	$V_i$	-0.3	VDD	V	
Supply Voltage For Logic	VDD-V <sub>SS</sub>	-0.3	5.3	V	

### Electronical Characteristics

Item	Symbol	Condition	Min	Typ	Max	Unit
Supply Voltage For Logic	VDD-V <sub>SS</sub>	-	3.0	5.0	5.3	V
Input High Volt.	$V_{IH}$	-	0.9 VDD	-	VDD	V
Input Low Volt.	$V_{IL}$	-	GND	-	0.1VDD	V
Output High Volt.	$V_{OH}$	I <sub>OH</sub> =-0.5mA	0.8 VDD	-	VDD	V
Output Low Volt.	$V_{OL}$	I <sub>OL</sub> =0.5mA	GND	-	0.2 VDD	V
Supply Current	IDD	VDD=5V	-	30	-	mA

### Feature

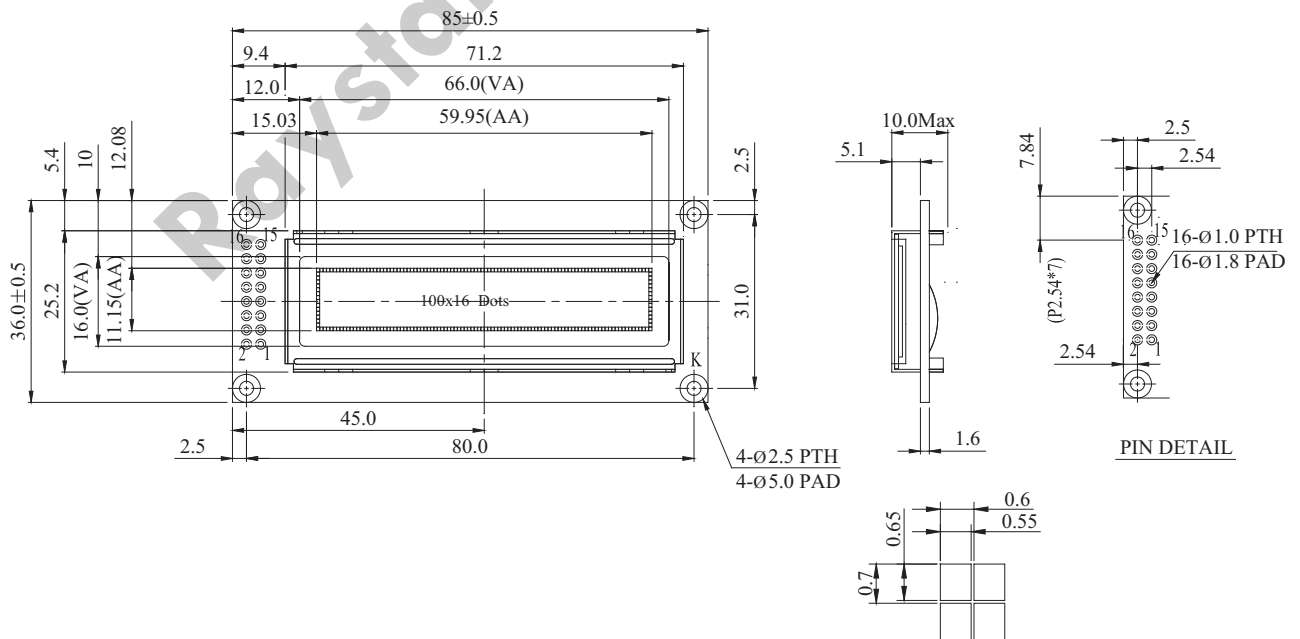
- 100x16 dots
- Built-in Controller WS0010
- +5V power supply, +3V optional
- 1/16 duty cycle
- Interface: 6800, option 8080 & SPI
- Sunlight readable & polarizer optional

Pin No.	Symbol	Description
1	VSS	Ground
2	VDD	Supply Voltage for logic
3	NC	
4	RS	H: DATA, L: Instruction code
5	R/W	H: Read(MPU←Module) L: Write(MPU→Module)
6	E	H→L Enable signal
7	DB0	Data bit 0
8	DB1	Data bit 1
9	DB2	Data bit 2
10	DB3	Data bit 3
11	DB4	Data bit 4
12	DB5	Data bit 5
13	DB6	Data bit 6
14	DB7	Data bit 7
15	NC	
16	NC	

OLED Graphic type

## REG010016C OLED Graphic 100x16 dots

### Dimension drawing



DOT SIZES  
SCALE 10/1